



技术要求:

1. 材质: 铜版纸, 材质符合ROHS标准, 每平方米105g;
2. 尺寸: A5大小;
3. 彩色封面。印刷字迹清晰明了。
4. 颜色以电子档为准, 图为说明书封面。

Revision 22-10-13

						名称	美国Robam 商标Robam			图号	KSMS-Robam-03-004
							7MG10 安装指导				
①	1	1	P22ZK152			品号	40400400309			材料	铜版纸
设计			标准化			阶段标记	数量	比例			
校对							B		1		
审核											
工艺			批准			共	1	张	第	1	

ROBAM



Installation Instructions Instructions d'Installation

Before operating this unit, please read the user manual completely and keep it. If the manual is lost, you can send e-mail to overseas@robam.com, request for an electronic manual.

JJZ(Y/T)-7MG10

Dual Fuel Range

TABLE OF CONTENTS

RANGE SAFETY	2
INSTALLATION REQUIREMENTS	5
Tools and Parts.....	5
Location Requirements	6
Electrical Requirements	9
Gas Supply Requirements	11
INSTALLATION INSTRUCTIONS	14
Step 1 - Unpack Range	14
Step 2 - Install Anti-Tip Bracket	15
Step 3 - Make Electrical Connection	16
Step 4 - Make Gas Connection.....	20
Step 5 - Install Range	21
GAS CONVERSION	23
Step 1 - Adjust the Gas Pressure Regulator	25
Step 2 - Change Burner Orifices	26
Step 3 - Adjust Burner Flames	27
Step 4 - Testing Flame Stability.....	28
Step 5 - Flame Re-Check.....	28

RANGE SAFETY

Your safety and the safety of others are very important.

We have provided many important safety messages in this manual and on your appliance. Always read and obey all safety messages.



This is the safety alert symbol.

This symbol alerts you to potential hazards that can kill or hurt you and others. All safety messages will follow the safety alert symbol and either the word "DANGER," "WARNING" or "CAUTION."

These words mean:



An imminently hazardous situation. You could be killed or seriously injured if you don't immediately follow instructions.



A potentially hazardous situation which, if not avoided, could result in death or serious bodily injury.



A potentially hazardous situation which, if not avoided, may result in moderate or minor injury.

All safety messages will tell you what the potential hazard is, tell you how to reduce the chance of injury, and tell you what can happen if the instructions are not followed.

⚠ WARNING



Fire Hazard

If the information in this manual is not followed exactly, a fire or explosion may result causing property damage, personal injury or death.

- Do not store or use gasoline or other flammable vapors and liquids in the vicinity of this or any other appliance.
- WHAT TO DO IF YOU SMELL GAS
 - Do not try to light any appliance.
 - Do not touch any electrical switch.
 - Do not use any phone in your building.
 - Clear the room, building, or area of all occupants.
 - Immediately call your gas supplier from a neighbor's phone. Follow the gas supplier's instructions.
 - If you cannot reach your gas supplier, call the fire department.
- Installation and service must be performed by a qualified installer, service agency or the gas supplier.

WARNING: Gas leaks cannot always be detected by smell.

Gas suppliers recommend that you use a gas detector approved by UL or CSA.

For more information, contact your gas supplier.

If a gas leak is detected, follow the "What to do if you smell gas" instructions.

In the State of Massachusetts, the following installation instructions apply:

- Installations and repairs must be performed by a qualified or licensed contractor, plumber, or gasfitter qualified or licensed by the State of Massachusetts.
- If using a ball valve, it shall be a T-handle type.
- A flexible gas connector, when used, must not exceed 3 feet.

State of California Proposition 65 Warnings:

WARNING: This product contains one or more chemicals known to the State of California to cause cancer.

WARNING: This product contains one or more chemicals known to the State of California to cause birth defects or other reproductive harm.

⚠ WARNING



Tip Over Hazard

A child or adult can tip the range and be killed.

Connect anti-tip bracket to rear range foot.

Reconnect the anti-tip bracket, if the range is moved.

Failure to follow these instructions can result in death or serious burns to children and adults.

INSTALLATION REQUIREMENTS

TOOLS AND PARTS

Gather the required tools and parts before starting installation. Read and follow the instructions provided with any tools listed here.

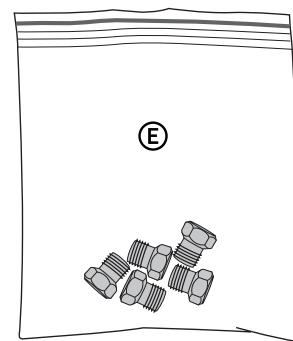
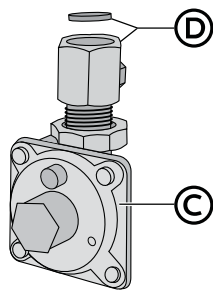
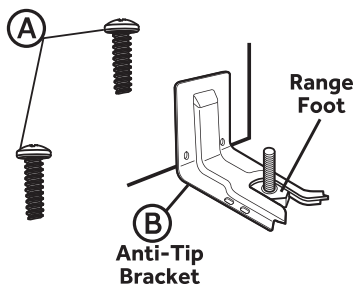
TOOLS NEEDED

- Tape measure
- Flat-blade screwdriver
- Phillips screwdriver
- Level
- Cordless electric drill
- Hammer
- Wrench or pliers
- Pipe wrench
- 10" Adjustable Wrenches (2)
- 3/8" nut driver
- 1/4" nut driver
- 1/8" (3.2 mm) drill bit (for wood floors)
- Marker or pencil
- Masking tape
- Pipe-joint compound resistant to LP gas
- 3/16" carbide-tipped masonry drill bit (for concrete/ceramic floors)
- Noncorrosive leak-detection solution

For LP Gas Conversions

- 1/2" Combination wrench
- 7 mm combination wrench
- 7 mm nut driver

PARTS SUPPLIED



(A) 16 x 1 5/8" Screws (2)

(B) Anti-tip Bracket

(C) Regulator

(D) Gas Pipe Adapter with Washer

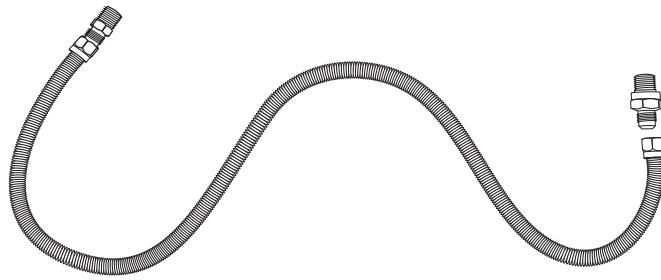
(E) LP Gas Conversion Kit

NOTE: The Anti-tip bracket must be securely mounted to the subfloor. Depending on the thickness of the flooring, longer screws may be required to anchor the anti-tip bracket to the subfloor. Longer screws are available from your local hardware store.

PARTS NEEDED

Check local codes and consult gas supplier. Check existing gas supply and electrical supply. See "Electrical Requirements" and "Gas Supply Requirements" sections.

- Gas Supply Line Kit (Supply line and 2 adapters)

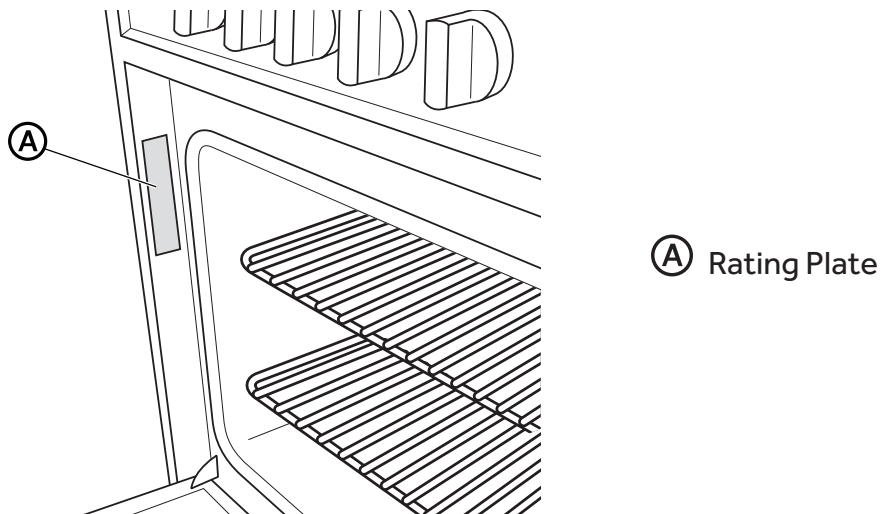


LOCATION REQUIREMENTS

VENTILATION

IMPORTANT: Observe all governing codes and ordinances. Do not obstruct flow of combustion and ventilation air.

- It is the installer's responsibility to comply with installation clearances if specified on the model/serial rating plate. The model/serial rating plate is located on the left-hand side of the oven frame. Open oven door to view label. See label on back panel of range for additional element and oven power ratings.



TEMPERATURE

IMPORTANT: Some cabinet and building materials are not designed to withstand the heat produced by the oven for baking and self-cleaning. Check with your builder or cabinet supplier to make sure that the materials used will not discolor, delaminate or sustain other damage.

- Contact a qualified floor covering installer to check that the floor covering can withstand at least 200°F (93°C).
- Use an insulated pad or ¼" (0.64 cm) plywood under range if installing range over carpeting.

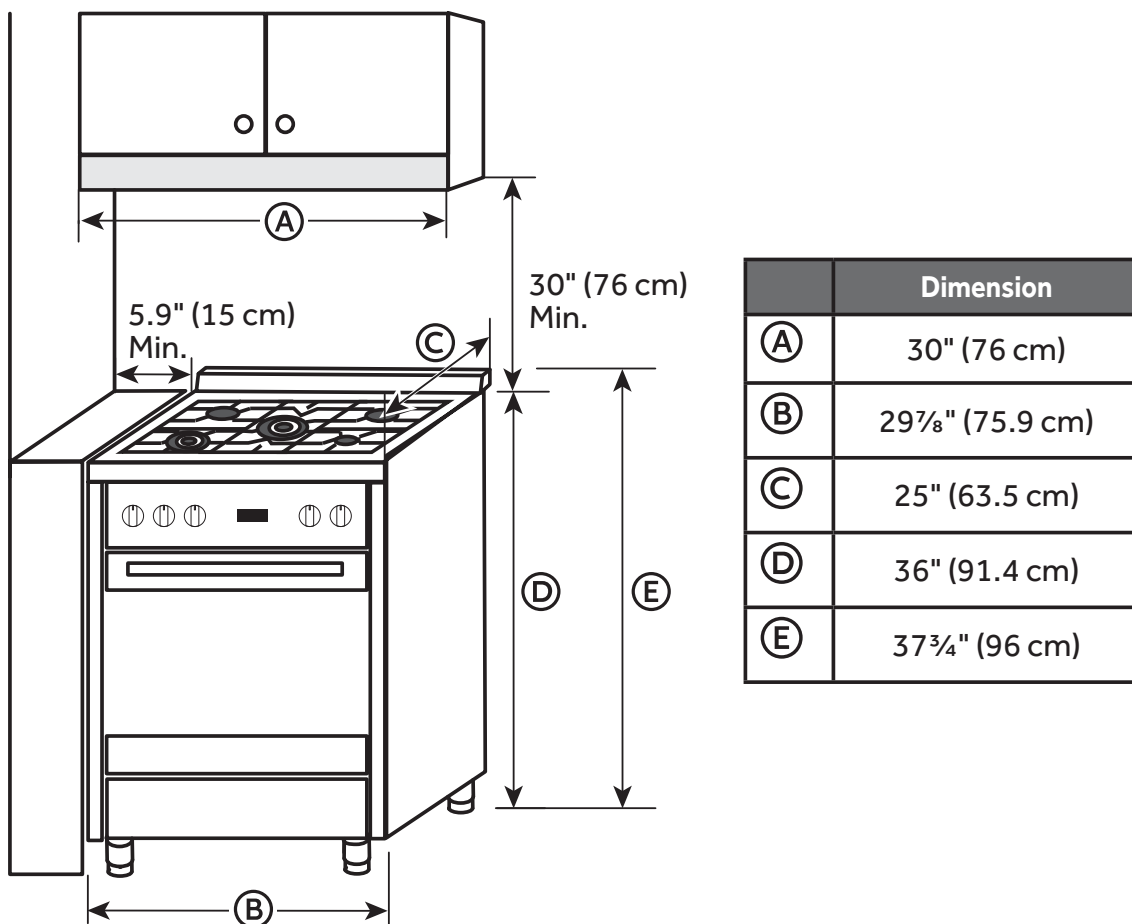
GENERAL

- The range should be located for convenient use in the kitchen.
- Recessed installations must provide complete enclosure of the sides and rear of the range.
- To eliminate the risk of burns or fire by reaching over heated surface units, cabinet storage space located above the surface units should be avoided. If cabinet storage is to be provided, the risk can be reduced by installing a range hood or microwave hood combination that projects horizontally a minimum of 5" (12.7 cm) beyond the bottom of the cabinets.
- All openings in the wall or floor where range is to be installed must be sealed.
- Do not seal the range to the side cabinets.
- Grounded electrical supply is required. See "Electrical Requirements" section.
- Proper gas supply connection must be available. See "Gas Supply Requirements" section.

DIMENSIONS

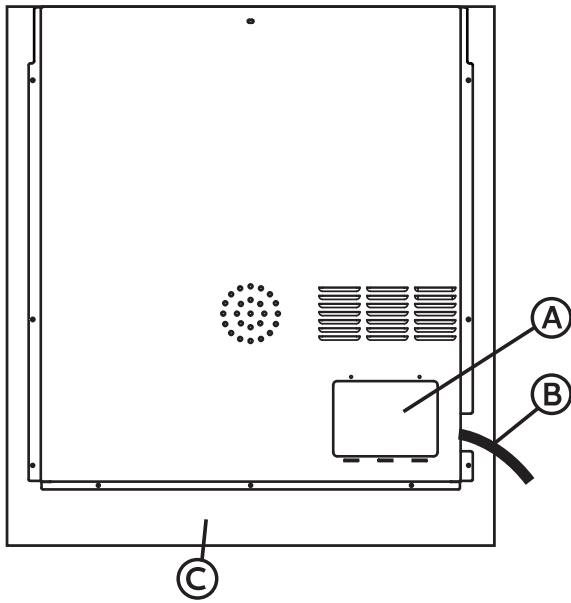
Product/Opening

Opening dimensions shown are for 25" (64.0 cm) countertop depth, 24" (61.0 cm) base cabinet depth and 36" (91.4 cm) countertop height.



NOTE: Range can be raised approximately 1" (2.5 cm) by adjusting the leveling legs. Front of door and drawer may extend farther forward depending on styling.

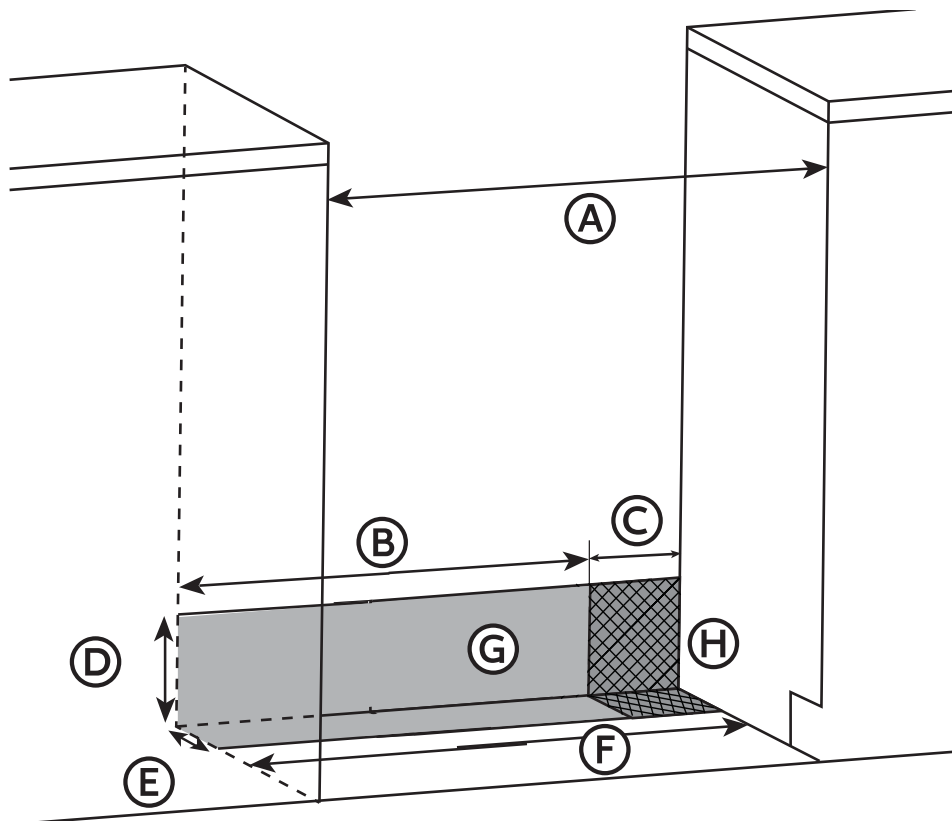
Back of Range



- Ⓐ Access Panel to Electrical Supply Connection
- Ⓑ Power Cord Opening
- Ⓒ Recessed area

Power Supply

IMPORTANT: An electrical outlet in the floor, may be either recessed or surface mounted, but an electrical outlet in the wall must be recessed to make the connection. For Direct Wiring, the electrical box should be mounted to the wall.



- Ⓐ 30" (76 cm)
- Ⓑ 24" (60.8 cm)
- Ⓒ 6" (15.2 cm)
- Ⓓ 7¼" (18.4 cm)
- Ⓔ 3" (7.6 cm)
- Ⓕ 24" (60 cm)
- Ⓖ Recommended Location for Electrical Outlet
- Ⓗ Recommended Location for Gas Supply Connection

NOTE: 24" (61.0 cm) minimum when bottom of wood or metal cabinet is covered by not less than ¼" (0.64 cm) flame retardant millboard covered with not less than No. 28 MSG sheet steel, 0.015" (0.4 mm) stainless steel, 0.024" (0.6 mm) aluminum or 0.020" (0.5 mm) copper. 30" (76.2 cm) minimum clearance between the cooking and the bottom of an uncovered wood or metal cabinet.

ELECTRICAL REQUIREMENTS

IMPORTANT: Use a 3-wire, UL listed, 30-amp minimum supply cord (pigtail); or if local codes do not permit grounding through the neutral, use a 4-wire UL listed, 30-amp minimum power supply cord rated at 250 volts and intended for use with ranges.

If codes permit and a separate ground wire is used, it is recommended that a qualified electrical installer determine that the ground path is adequate and wire gauge is in accordance with local codes.

To properly install your range, you must determine the type of electrical connection you will be using and follow the instructions provided for it here.

- Range must be connected to the proper electrical voltage and frequency as specified on the model/serial number rating plate. All models are dual rated, and designed to be connected to either 120/240V or 120/208V AC, 60Hz, single-phase, 3-wire or 4-wire, power supply.

Voltage and Frequency	Amps	Circuit Required
240V, 60 Hz	20A	25 Amp Circuit
208V, 60 Hz	17.4A	20 Amp Circuit

- When a 4-wire, single-phase 120/240 volt, 60 Hz., AC only electrical supply is available, a 25-amp maximum circuit protection is required (or, if specified on the model/serial rating plate, when a 4-wire, single phase 120/208 volt 60 Hz., AC only electrical supply is available, a 20-amp maximum circuit protection is required).
- For direct wire installations, install a suitable conduit box (not furnished). An appropriately sized, UL conduit connector must be used to correctly attach the conduit to the junction box.

IMPORTANT: Local Codes may vary; installation electrical connections and grounding must comply with all applicable local codes.

If local codes permit grounding through the electrical supply neutral, connect both the white neutral wire and the green ground wire from the oven to the white neutral electrical supply wire.

ELECTRICAL REQUIREMENTS - U.S.A. ONLY

Do not use an extension cord.

Be sure that the electrical connection and wire size are adequate and in conformance with the National Electrical Code, ANSI/ NFPA No. 70-latest edition and all local codes and ordinances.

A copy of the above code standards can be obtained from:

National Fire Protection Association
 One Batterymarch Park
 Quincy, MA 02269

⚠ WARNING**Electrical Shock Hazard**

The electrical power to the oven branch circuit must be shut off while line connections are being made.

Do not use an extension cord with this appliance.

Electrical ground is required on this appliance. The free end of the green wire (the ground wire) must be connected to a suitable ground. This wire must remain grounded to the oven.

If cold water pipe is interrupted by plastic, non metallic gaskets, union connections or other insulating materials, DO NOT use for grounding.

DO NOT ground to a gas pipe.

DO NOT have a fuse in the NEUTRAL or GROUNDING circuit. A fuse in the NEUTRAL or GROUNDING circuit could result in an electrical shock.

Check with a qualified electrician if you are in doubt as to whether the appliance is properly grounded.

Failure to do so could result in death, fire or electric shock.

ELECTRICAL REQUIREMENTS - CANADA ONLY**⚠ WARNING****Electrical Shock Hazard**

Disconnect power before servicing.

Plug into a grounded outlet.

Do not use an extension cord.

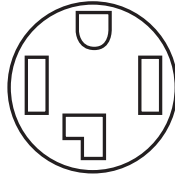
Failure to do so can result in death, fire, or electrical shock.

Be sure that the electrical connection and wire size are adequate and in conformance with CSA Standard C22.1, Canadian Electrical Code, Part 1 - latest edition, and all local codes and ordinances.

A copy of the above code standards can be obtained from:

Canadian Standards Association
178 Rexdale Blvd.
Toronto, ON M9W 1R3 CANADA.

- Check with a qualified electrical installer if you are not sure the range is properly grounded.
- This range is equipped with a CSA International Certified Power Cord intended to be plugged into a standard 14-30R wall receptacle. Be sure the wall receptacle is within reach of range's final location.



- Do not use an extension cord.

GAS SUPPLY REQUIREMENTS

WARNING



Explosion Hazard

Use a new CSA International approved gas supply line.

Install a shut-off valve.

Securely tighten all gas connections.

If connected to LP, have a qualified person make sure gas pressure does not exceed 14" (36 cm) water column.

Examples of a qualified person include:

licensed heating personnel,
authorized gas company personnel, and
authorized service personnel.

Failure to do so can result in death, explosion or fire.

Observe all governing codes and ordinances.

IMPORTANT: This installation must conform with all local codes and ordinances. In the absence of local codes, installation must conform with American National Standard, National Fuel Gas Code ANSI Z223.1 - latest edition or CAN/CGA B149 – latest edition.

IMPORTANT: Leak testing of the range must be conducted according to the manufacturers instructions.

TYPE OF GAS

Natural gas:

This range is design-certified by CSA International for use with Natural gas or, after proper conversion, for use with LP gas.

- This range is factory set for use with Natural gas. See "Gas Conversions" section. The model/serial rating plate located on the right side oven door trim has information on the types of gas that can be used. If the types of gas listed do not include the type of gas available, check with the local gas supplier.

LP gas conversion:

IMPORTANT: Conversion must be done by a qualified service technician.

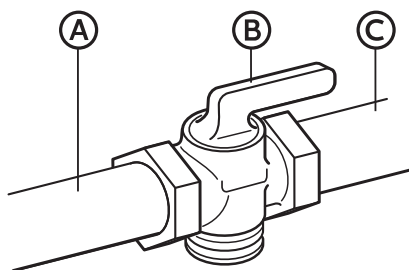
No attempt shall be made to convert the appliance from the gas specified on the model/serial rating plate for use with a different gas without consulting the serving gas supplier. See "Gas Conversions" section.

GAS SUPPLY LINE

Provide a gas supply line of $\frac{3}{4}$ " (1.9 cm) rigid pipe to the range location. A smaller size pipe on longer runs may result in insufficient gas supply. Pipe-joint compounds that resist the action of LP gas must be used. With LP gas, piping or tubing size can be $\frac{1}{2}$ " (1.3 cm) minimum. Usually, LP gas suppliers determine the size and materials used in the system.

Gas Shut-off Valve:

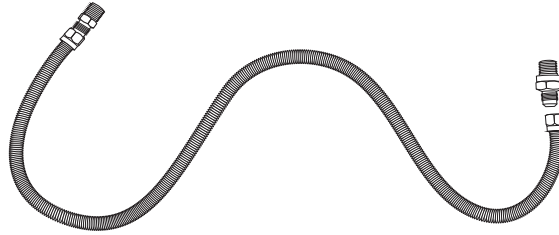
- The gas supply line must be equipped with a manual shutoff valve. This valve should be located in the same room but external to the range. It should be in a location that allows ease of opening and closing. Do not block access to shutoff valve. The valve is for turning on or shutting off gas to the range.



- Ⓐ Gas Supply Line
- Ⓑ Shutoff Valve "Open" Position
- Ⓒ Flexible/Rigid Gas Line to Range

Flexible metal appliance connector:

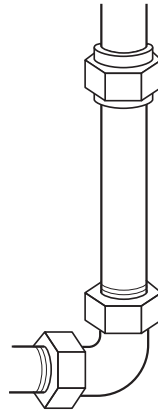
- If local codes permit, a new CSA design-certified, 4 - 5 ft (122 - 152.4 cm) long, ½" (1.3 cm) or ¾" (1.9 cm) I.D., flexible metal appliance connector may be used for connecting range to the gas supply line.



- A ½" (1.3 cm) male pipe thread is needed for connection to the female pipe threads of the inlet to the appliance pressure regulator.
- Do not kink or damage the flexible metal tubing when moving the range.

Rigid pipe connection:

The rigid pipe connection requires a combination of pipe fittings to obtain an in-line connection to the range. The rigid pipe must be aligned with the range connection. All strains must be removed from the supply and fuel lines so range will be level and in line.

**GAS PRESSURE REGULATOR**

The gas pressure regulator supplied with this range must be used. The inlet pressure to the regulator should be as follows for proper operation:

Natural gas:

Minimum pressure: 5" WCP

Maximum pressure: 14" WCP

LP gas:

Minimum pressure: 11" WCP

Maximum pressure: 14" WCP

Contact local gas supplier if you are not sure about the inlet pressure.

Burner Input Requirements

Input ratings shown on the model/serial rating plate are for elevations up to 2,000 ft (609.6 m).

For elevations above 2,000 ft (609.6 m), ratings are reduced at a rate of 4% for each 1,000 ft (304.8 m) above sea level (not applicable for Canada).

GAS SUPPLY PRESSURE TESTING

Line pressure testing above 0.5 psi gauge (14" WCP)

The range and its individual shutoff valve must be disconnected from the gas supply piping system during any pressure testing of that system at test pressures in excess of 0.5 psi (3.5 kPa).

Line pressure testing at 0.5 psi gauge (14" WCP) or lower

The range must be isolated from the gas supply piping system by closing its individual manual shutoff valve during any pressure testing of the gas supply piping system at test pressures equal to or less than 0.5 psi (3.5 kPa).

INSTALLATION INSTRUCTIONS

IMPORTANT: This appliance shall be installed only by authorized persons and in accordance with the manufacturer's installation instructions, local gas fitting regulations, municipal building codes, electrical wiring regulations, local water supply regulations.

STEP 1 - UNPACK RANGE

WARNING

Excessive Weight Hazard

Use two or more people to move and install range.
Failure to do so can result in back or other injury.

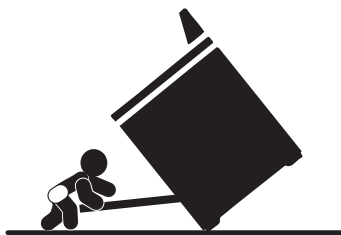
1. Remove shipping materials, tape and film from the range. Keep cardboard bottom under range. Do not dispose of anything until the installation is complete.
2. Remove oven racks and parts package from oven and shipping materials.
3. To remove cardboard bottom, first take 4 cardboard corners from the carton. Stack one cardboard corner on top of another. Repeat with the other 2 corners. Place them lengthwise on the floor behind the range to support the range when it is laid on its back.
4. Using two or more people, firmly grasp the range and gently lay it on its back on the cardboard corners.
5. Remove cardboard bottom.

NOTES:

- The leveling legs can be adjusted while the range is on its back.
- To place range back up into a standing position, put a sheet of cardboard or hardboard on the floor in front of range to protect the flooring. Using two or more people, stand range back up onto the cardboard or hardboard.

STEP 2 - INSTALL ANTI-TIP BRACKET

⚠ WARNING



Tip Over Hazard

A child or adult can tip the range and be killed.

Connect anti-tip bracket to rear range foot.

Reconnect the anti-tip bracket, if the range is moved.

Failure to follow these instructions can result in death or serious burns to children and adults.

IMPORTANT: An anti-tip bracket kit is included with the range. The anti-tip bracket uses either the right or left rear leveling leg to secure the range to the floor.

1. Remove the anti-tip bracket from where it is taped inside the oven or storage drawer.
2. Determine and mark centerline of the opening.

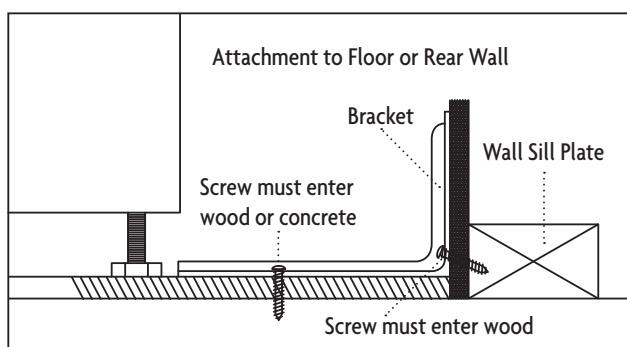
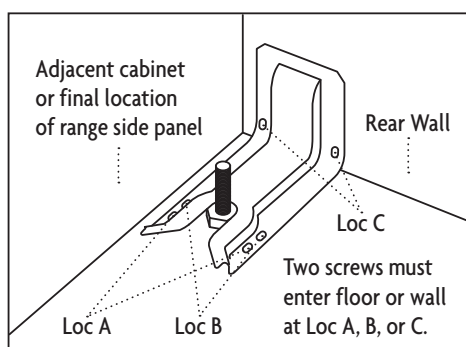
NOTE: The anti-tip bracket can be installed on either the left-hand side or right-hand side of the opening.

3. Place the anti-tip bracket onto the floor so that the distances from the center of the bracket to the center line and to the wall is correct for your model.
 - Center of Opening to Center of Bracket: 13½" (34.3 cm)
 - Wall to Top of Bracket - 35/16" (8.5 cm)
4. Drill two ⅛" (3 mm) holes through the mounting holes in the anti-tip bracket and into the floor.

NOTE: Contact a qualified floor covering installer for the best procedure for drilling mounting holes through your type of floor covering.

5. Using the two screws provided, secure the anti-tip bracket to the floor.

NOTE: A rear leg of the range will be centered within the anti-tip bracket when it is moved into its final position.



STEP 3 - MAKE ELECTRICAL CONNECTION

After reading the requirements for each connection method, follow the electrical connection instructions specific to your situation.

POWER SUPPLY CORD - CANADA ONLY

⚠ WARNING



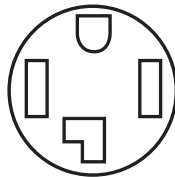
Electrical Shock Hazard

Plug into a grounded outlet.

Do not use an extension cord.

Failure to do so can result in death, fire, or electrical shock.

1. Plug into a standard 14-30R grounded wall receptacle.



2. Go to STEP 4 - MAKE GAS CONNECTION.

DIRECT WIRE - U.S.A ONLY**⚠ WARNING****Electrical Shock Hazard**

Disconnect power before servicing.

Improper connection of aluminum house wiring and copper appliance leads can result in an electrical hazard or fire. If the home has aluminum wiring, only use connectors designed and UL listed for joining copper to aluminum and precisely follow the manufacturer's recommended procedure. Aluminum-to-Copper connections must conform with local codes.

Use 10 gauge copper or aluminum wire.

Electrically ground range.

Failure to do so can result in death, fire or electrical shock.

Be sure your appliance is properly installed and grounded by a qualified technician. Ask your dealer to recommend a qualified technician or an authorized repair service.

This range is manufactured with a neutral (white) power supply wire and a cabinet-connected green (or bare) ground wire twisted together.

After making sure that the power has been turned off, connect the flexible conduit from the range to the junction box using a UL listed conduit connector. The Grounded Neutral and Ungrounded Neutral Graphics on the following pages and the instructions provided, present the most common way of connecting ranges. Your local codes and ordinances, of course, take precedence over these instructions. Complete electrical connections according to local codes and ordinances.

3-WIRE CONNECTION (GROUNDED NEUTRAL) - U.S.A. ONLY.

⚠ WARNING



Electrical Shock Hazard

Grounding through the neutral conductor is prohibited for new branch-circuit installations (1996 NEC); mobile homes; and recreational vehicles, or in an area where local codes prohibit grounding through the neutral conductor. For installations where grounding through the neutral conductor is prohibited, see the Ungrounded Neutral graphic.

Use grounding terminal or lead to ground unit.

Connect neutral terminal or lead to branch circuit neutral in usual manner.

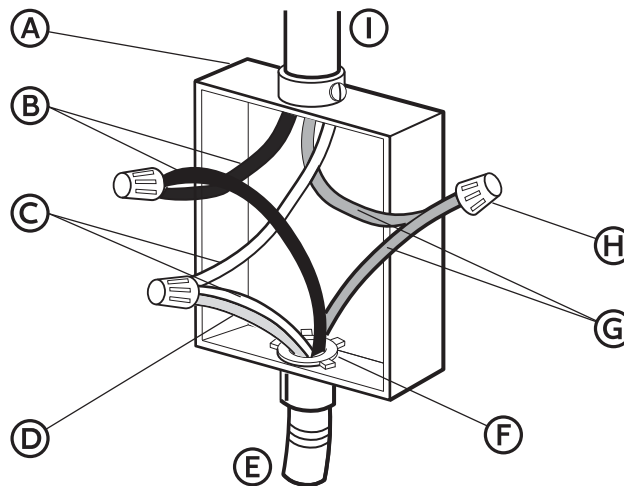
Failure to do so could result in death, fire or electric shock.

3-Wire Cable from Home Power Supply

IMPORTANT: Use the 3-wire cable from home power supply where local codes permit a 3-wire connection.

1. Disconnect power.

Grounded Neutral



- | | | |
|---------------------------|---------------------------------|-------------------------------|
| (A) Junction Box | (D) Ground (Green or Bare) Wire | (G) Red Wires |
| (B) Black Wires | (E) Cable from Range | (H) UL Listed Wire Connectors |
| (C) Neutral (White) Wires | (F) UL Listed Conduit Connector | (I) House Electrical Supply |

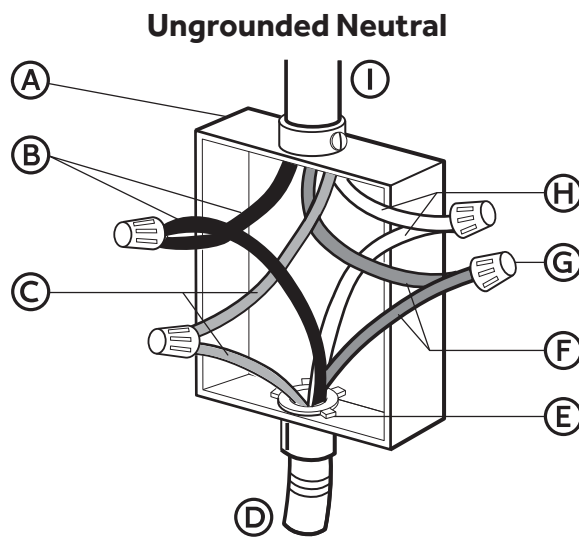
2. Connect the 2 black wires **(B)** together using a UL listed wire connector.
3. Connect the 2 neutral (white) wires **(C)** and the ground (green or bare) wire **(D)** (of the range cable) using a UL listed wire connector.
4. Connect the 2 red wires **(G)** together using a UL listed wire connector.
5. Install junction box cover.

4-WIRE CONNECTION (UNGROUNDING NEUTRAL)- U.S.A. ONLY

4-Wire Cable from Home Power Supply

IMPORTANT: Use the 4-wire cable from home power supply in the U.S. where local codes do not allow grounding through neutral, New Branch circuit installations (1996 NEC), mobile homes and recreational vehicles, new construction and in Canada.

1. Disconnect power.



- | | | |
|-----------------------------|--|-------------------------------------|
| (A) Junction Box | (E) UL listed or CSA Approved Conduit Connector | (G) UL Listed Wire Connector |
| (B) Black Wires | (F) Ground (Green or Bare) Wires | (H) Neutral (White) Wires |
| (C) Red Wires | | (I) House Electrical Supply |
| (D) Cable from Range | | |

2. Connect the 2 black wires **(B)** together using a UL listed wire connector.
3. Connect the 2 red wires **(C)** together using a UL listed wire connector.
4. Untwist white wire from green (or bare) ground wire coming from the range.
5. Connect the 2 neutral (white) wires **(H)** together using a UL listed wire connector.
6. Connect the ground (green or bare) wire **(F)** from the oven cable to the ground (green or bare) wire (in the junction box) using a UL listed wire connector.
7. Install junction box cover.

STEP 4 - MAKE GAS CONNECTION

⚠ WARNING



Explosion Hazard

Use a new CSA International approved gas supply line.

Install a shut-off valve.

Securely tighten all gas connections.

If connected to LP, have a qualified person make sure gas pressure does not exceed 14" (36 cm) water column.

Examples of a qualified person include:

licensed heating personnel,
authorized gas company personnel, and
authorized service personnel.

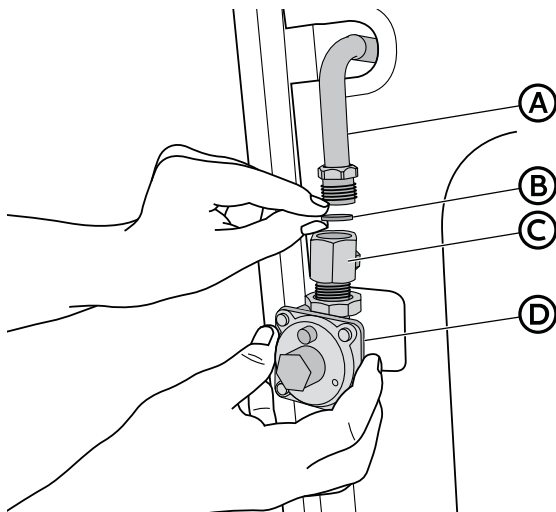
Failure to do so can result in death, explosion or fire.

TYPICAL FLEXIBLE CONNECTION

CONNECT BSPP TO NPT ADAPTER TO GAS REGULATOR:

1. Apply pipe-joint compound made for use with LP gas to the male threads of adapter ③.
2. Insert adapter ③ into outlet of the gas pressure regulator ④, and then tighten using two 10" adjustable wrenches. Be sure flow arrow on regulator is pointing up toward the range gas inlet pipe.
3. Install washer ② in female end of adapter ③, and then connect adapter ③ to range gas inlet pipe ① via compression fitting and tighten.

NOTE: Washer ② must be used to create a leak proof seal.



- ① Gas Line from Range
- ② Washer (provided)
- ③ Adapter (provided)
- ④ Gas Pressure Regulator (provided)

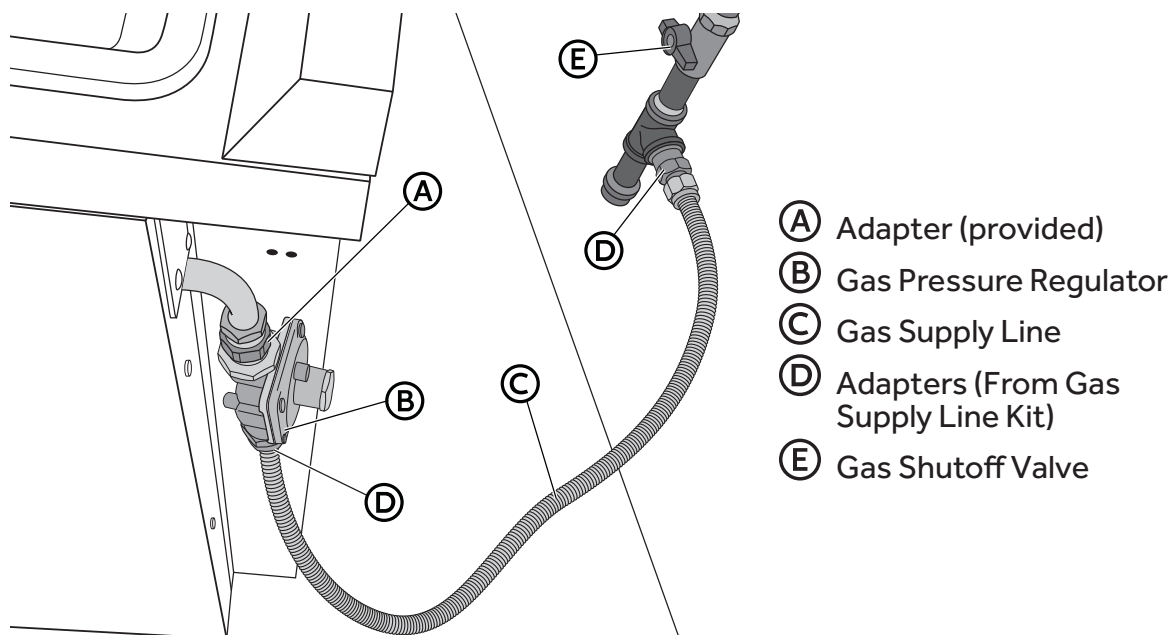
CONNECT GAS LINE FROM GAS PRESSURE REGULATOR TO GAS SUPPLY:

1. Apply pipe-joint compound made for use with LP gas to the tapered (NPT) threads of both adapters (D) supplied with gas line kit.
2. Attach one adapter to the gas pressure regulator and the other to the gas shutoff valve and tighten both.

NOTE: Do Not rotate the gas pressure regulator.

3. Attach the flexible gas line (C) to adapters (D), one adapter at each end.

IMPORTANT: All connections must be wrench tightened (requires two 10" adjustable wrenches). Do not over-tighten the connections to the gas pressure regulator. Overtightening may crack the regulator creating a leak.

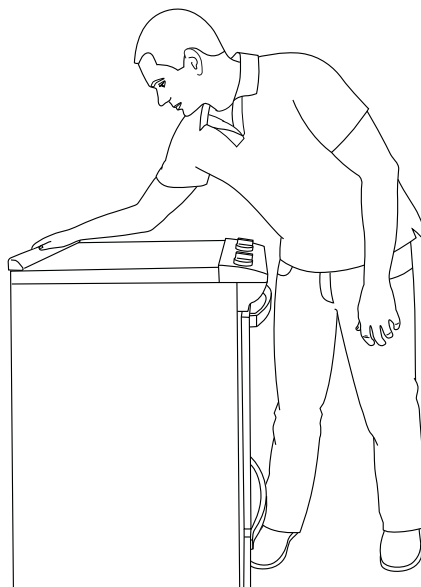
**COMPLETE CONNECTION**

1. Open the manual shutoff valve in the gas supply line. The valve is open when the handle is parallel to the gas pipe.
2. Test all connections by brushing on an approved noncorrosive leak-detection solution. If bubbles appear, a leak is indicated. Correct any leak found.
3. Plug in range or reconnect power.

STEP 5 - INSTALL RANGE

IMPORTANT: If the range is moved to adjust the leveling legs, make sure when you move the range back into its final location that the anti-tip bracket is engaged by repeating steps 1 through 8.

1. Slide range into final location, making sure rear leveling leg slides into anti-tip bracket. Leave a 1" (2.5 cm) gap between the back of the range and the back wall.
2. Place the outside of your foot against the bottom front to keep the range from moving, and then grasp the back of the range, as shown.



3. Slowly attempt to tilt the range forward.

If you encounter immediate resistance, the range foot is engaged in the anti-tip bracket. Go to Step 9.

4. If the rear of the range lifts more than $\frac{1}{2}$ " (1.3 cm) off the floor without resistance, stop tilting the range and lower it gently back to the floor. The range foot is not engaged in the anti-tip bracket.

IMPORTANT: If there is a snapping or popping sound when lifting the range, the range may not be fully engaged in the bracket. Check to see if there are obstructions keeping the range from sliding to the wall or keeping the range foot from sliding into the bracket. Verify that the bracket is held securely in place by the mounting screws.

5. Slide the range forward, and verify that the anti-tip bracket is securely attached to the floor or wall.
6. Slide range back so the rear range foot is inserted into the slot of the anti-tip bracket.
7. Repeat steps 1 through 3 to ensure that the range foot is engaged in the anti-tip bracket.

If the rear of the range lifts more than $\frac{1}{2}$ " (1.3 cm) off the floor without resistance, the anti-tip bracket may not be installed correctly. Do not operate the range without anti-tip bracket installed and engaged.

8. Move the range into its final location, and check that the range is level by placing a carpenter's level on the bottom of the oven.

NOTE: The range must be level for optimum cooking and baking performance.

9. If needed, use a wrench to adjust the height of the leveling legs until the range is level from side to side and front to back.

GAS CONVERSION

⚠ WARNING



Explosion Hazard

Use a new CSA International approved gas supply line.

Install a shut-off valve.

Securely tighten all gas connections.

If connected to LP, have a qualified person make sure gas pressure does not exceed 14" (36 cm) water column.

Examples of a qualified person include:

licensed heating personnel,
authorized gas company personnel, and
authorized service personnel.

Failure to do so can result in death, explosion or fire.

LP/PROPANE GAS CONVERSION

This appliance can be used with Natural Gas or LP/Propane gas. It is shipped from the factory for use with natural gas. A kit for converting to LP gas is supplied with your cooktop. The kit is marked "FOR LP/PROPANE GAS CONVERSION".

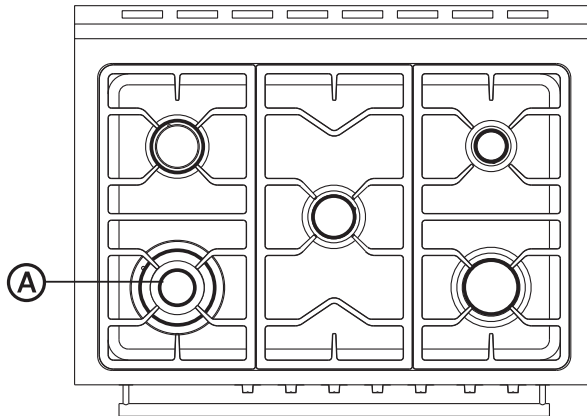
When the cooktop is converted for liquid petroleum (LP) gas, the LP gas supply is required to provide a minimum of 10" to a maximum of 14" water column to the cooktop regulator.

The conversion must be performed by a qualified service technician in accordance with the kit instructions and all local codes and requirements. Failure to follow instructions could result in serious injury or property damage. The qualified agency performing this work assumes responsibility for the conversion.

Burner and Orifice Characteristic Table

Burner	Position	Orifice	Gas	Pressure	Rate
		Diam. (mm)	Type	[i.w.c.]	[BTU/h]
Auxiliary	Rear R	1.05	NG	4"	5000
		0.7	LP (Propane)	10"	5000
Semi-Rapid	Rear L and Center	1.29	NG	4"	7500
		0.81	LP (Propane)	10"	7500
Triple	Front L	2.1	NG	4"	18000
		1.22	LP (Propane)	10"	18000
Rapid	Front R	1.45	NG	4"	9500
		0.91	LP (Propane)	10"	9500

NOTE: The triple burner has only two injectors, one injector mounted in the center and one mounted below the cover plate. To access the second injector, remove the two screws and the cover plate.



Ⓐ Opening in grate for wok ring (provided) is located over left front burner.

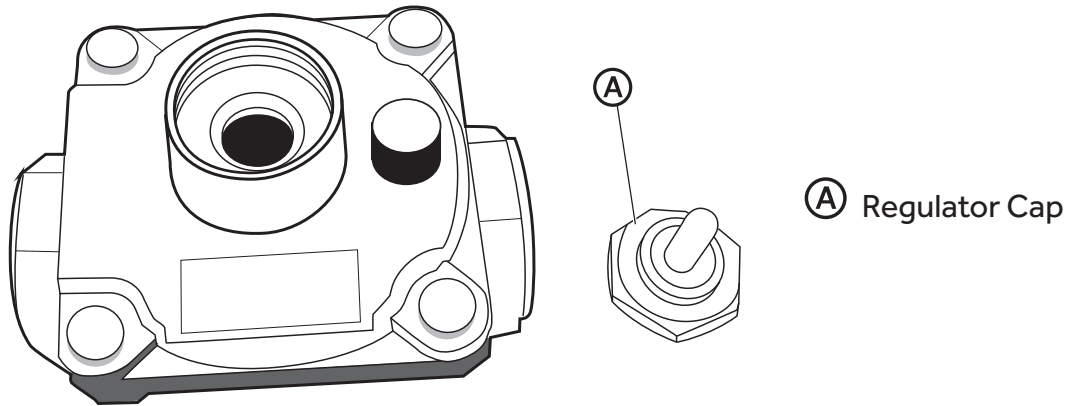
Tools Needed for Conversion:

- Wrench
- 7 mm Nut Driver
- Safety Glasses
- Small Flat-head Screwdriver

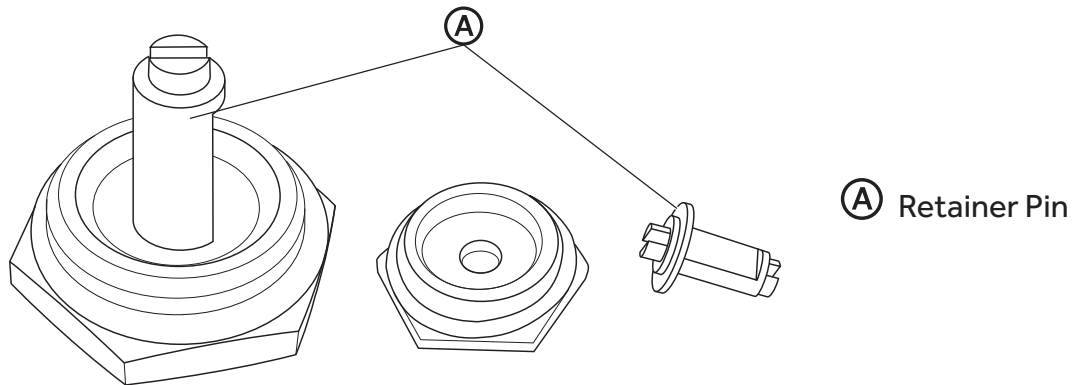
STEP 1 - ADJUST THE GAS PRESSURE REGULATOR

IMPORTANT: Disconnect all electrical power, at the main circuit breaker or fuse box. Shut off the gas supply to the range by closing the manual shut-off valve.

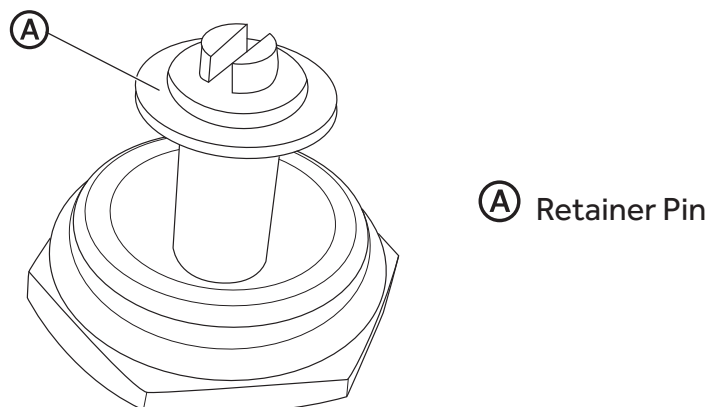
1. Unscrew the regulator cap with the wrench.



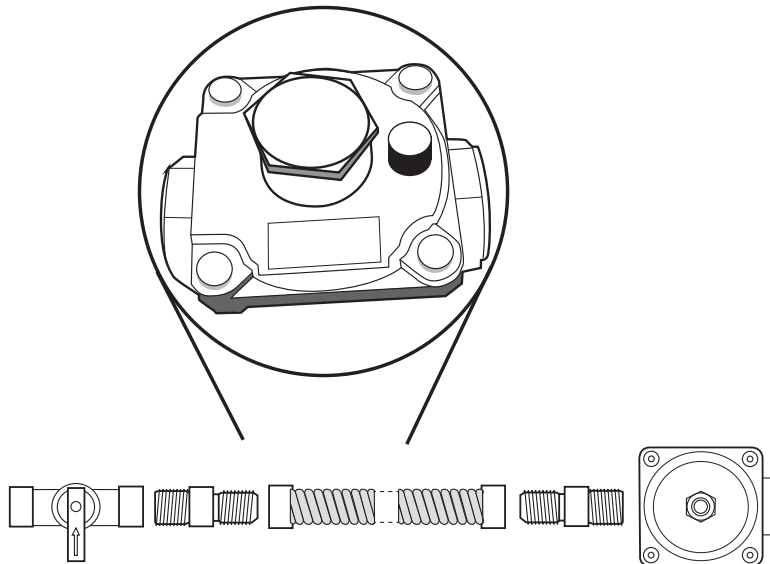
2. Remove the retainer pin that is currently positioned for use with Natural Gas.



3. Turn the retainer pin upside down and replace it into the regulator cap. It is now positioned for use with LP gas.



4. Screw the regulator cap back into the regulator.

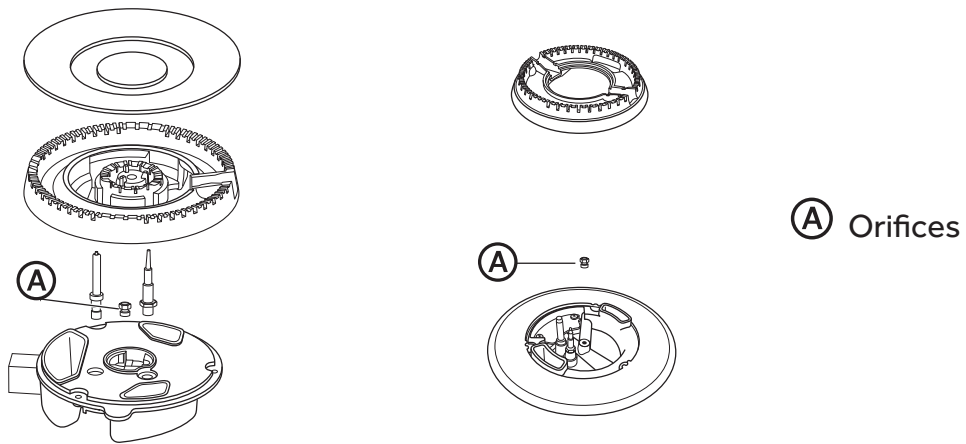


STEP 2 - CHANGE BURNER ORIFICES

IMPORTANT: Carefully read and observe each orifice label for correct location. See the Burner Chart earlier in this section.

NOTE: First remove all orifices and then start replacing them. This will help avoid the possibility that some may not be replaced.

1. Remove the burner grates, burner caps and burner heads.
2. Using a 7mm nut driver, remove the burner orifices.

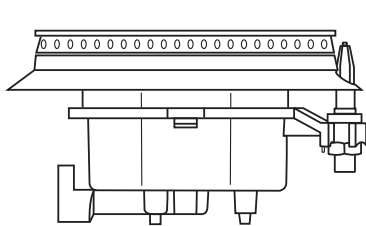


Triple Ring Burner
1 Orifice

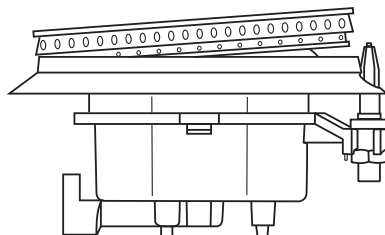
Auxiliary Burner
Semi-Rapid Burner
Rapid Burner
1 Orifice Each

3. Install the proper orifices in the exact locations as noted in the previous graphic.

4. Replace the burner bases, heads, caps and top grates. Make sure burner caps are properly seated on the burner head.



Properly Seated



Not Properly Seated

STEP 3 - ADJUST BURNER FLAMES

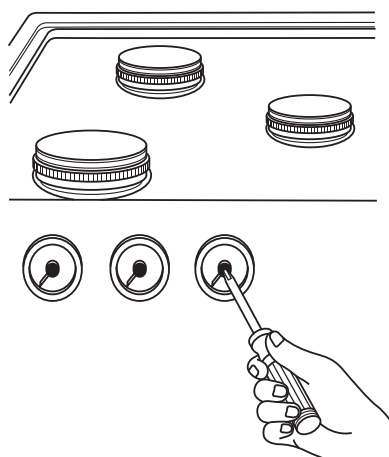
NOTES:

- Turn all burners on highest setting and check the flames. They should be blue in color and may have some yellow tipping at the ends of the flame when using LP gas. Foreign particles in the gas line may cause an orange flame at first, but this will soon disappear.
- Turn the cooktop burner knob to "MIN" while observing the flame.
- Adjustments must be made with two other burners in operation on a medium setting. This prevents the upper row of flames from being set too low, resulting in the flame being extinguished when other burners are turned on.



Silkscreen of knobs

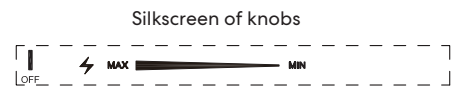
1. Remove the knobs.
2. Insert a screwdriver through the access hole in valve shaft as shown.
3. Slowly turn the screw until the flame appearance is correct.
 - Open the valve more if the flames are too small or fluttered.
 - Close the valve more if the flames are too large.



STEP 4 - TESTING FLAME STABILITY

Test 1 - Turn the knob from "MAX" to "MIN" quickly. If the upper row of flames goes out at this setting, increase the flame size and test again.

Test 2 - With the burner on "MIN", open and close the cabinet door under the cooktop. If the air currents created by the door moving extinguish the flame, increase the flame height and test again.



STEP 5 - FLAME RE-CHECK

After the adjustment is made, turn all burners off. Ignite each burner individually. Observe the flame at the "MAX" position. Rotate the knob to the lowest setting and be sure that the flame size decreases as the knob is rotated counterclockwise.

IMPORTANT: Once the conversion has been completed and has passed testing, fill out the conversion sticker and include your name, organization and the date conversion is made. Apply the sticker near the cooktop gas inlet opening to alert others in the future that this appliance has been converted. If converting back to Natural Gas, please remove the sticker so others know that the appliance is set to use its original gas.

ABNORMAL OPERATION

ANY OF THE FOLLOWING ARE CONSIDERED TO BE ABNORMAL OPERATION AND MAY REQUIRE SERVICING:

- Yellow tipping of the hob burner flame.
- Sooting up of cooking utensils.
- Burners not igniting properly.
- Burners failing to remain lit.
- Burners extinguished by oven door.
- Gas valves, which are difficult to turn.

IN CASE THE APPLIANCE FAILS TO OPERATE CORRECTLY, CONTACT THE AUTHORIZED SERVICE PROVIDER IN YOUR AREA

THE BURNERS REQUIRE NO REGULATION OF THE PRIMARY AIR

Model: JJZ(Y/T)-7MG10

Edition: A/0

Publication Date: October,13,2022

ROBAM